



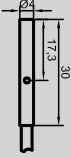
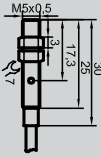
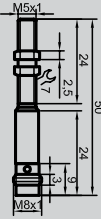
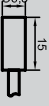


INDUCTIVE SENSORS IAS

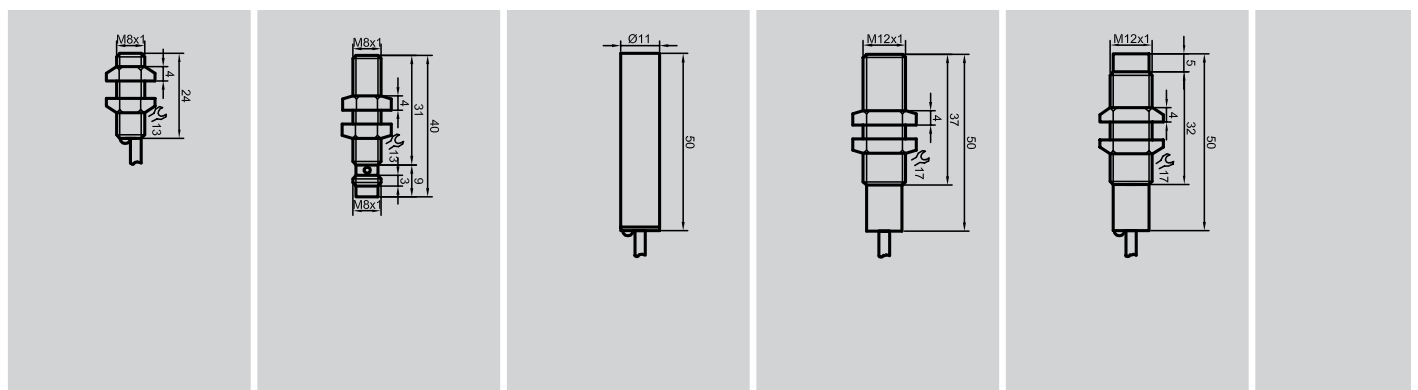
Housing	Ø 4 mm	M5 x 0.5	M5 x 0.5	Ø 6.5 mm
CE				
Technical data				
Operating distance S_n [mm], flush mounting	0.8, yes	0.8, yes	0.8, yes	1.5, yes
Operating distance min./max. [mm] adjustable	-	-	-	-
Type NPN NO	IAS-20-04-S	IAS-20-M5-S		IAS-20-6.5/15-S
Type NPN NC	IAS-20-04-Ö	IAS-20-M5-Ö		
Type NPN antivalent				
Type PNP NO	IAS-10-04-S	IAS-10-M5-S	IAS-10-M5-S-Y7	IAS-10-6.5/15-S
Type PNP NC	IAS-10-04-Ö	IAS-10-M5-Ö	IAS-10-M5-Ö-Y7	IAS-10-6.5/15-Ö
Type PNP antivalent				
Type NPN/PNP-NO/NC switchable				
Type AC/DC NO				
Type AC/DC NC				
Operating voltage (U_B)	10...35 V DC	10...35 V DC	10...35 V DC	10...35 V DC
Output current max. (I_e)	150 mA	150 mA	150 mA	150 mA
No-load current (I_o)	typ. 10 mA	typ. 10 mA	typ. 10 mA	typ. 10 mA
Frequency of operating cycles max.	2 kHz	2 kHz	1 kHz	1 kHz
Permitted ambient temperature	-25...+70°C	-25...+70°C	-25...+70°C	-25...+70°C
LED-display	yes	yes	yes	yes
Protective circuit	yes	yes	yes	yes
Degree of protection IEC 529	IP 67	IP 67	IP 67	IP 67
Connection	2 m cable	2 m cable	metal flange connector M8 x 1	2 m cable
Housing material	VA No. 1.4305	VA No. 1.4305	VA No. 1.4305	VA No. 1.4305
Active surface	-	PA/PPO	PA/PPO	PVC
Lid	-	-	-	-

Dimension				





Connection diagram see page 7

INDUCTIVE SENSORS IAS

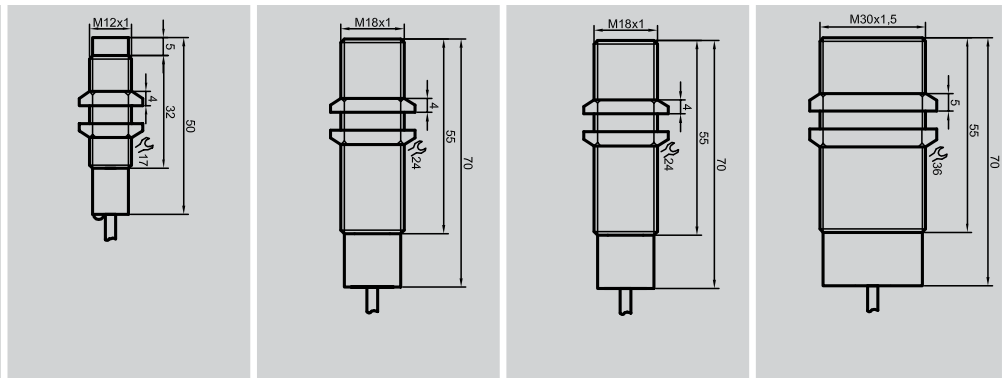
M8 x 1	M8 x 1	Ø 11 mm	M12 x 1	M12 x 1	
1.5, yes	1.5, yes	5, no	2, yes	4, no	
-	-		-	-	
			IAS-20-A12-S	IAS-20-A22-S	
			IAS-20-A12-Ö	IAS-20-A22-Ö	
IAS-10-M8-S	IAS-10-M8-S-Y7	IAS-10-14-S-PTFE, 5 m	IAS-10-A12-S	IAS-10-A22-S	
IAS-10-M8-Ö	IAS-10-M8-Ö-Y7		IAS-10-A12-Ö	IAS-10-A22-Ö	
10...35 V DC	10...35 V DC	10...35 V DC	10...35 V DC	10...35 V DC	
150 mA	150 mA	150 mA	150 mA	150 mA	
typ. 10 mA	typ. 10 mA	typ. 15 mA	typ. 15 mA	typ. 15 mA	
1 kHz	1 kHz	2 kHz	2 kHz	2 kHz	
-25...+70°C	-25...+70°C	-25...+70°C	-25...+70°C	-25...+70°C	
yes	yes	yes	yes	yes	
yes	yes	yes	yes	yes	
IP 67	IP 67	IP 67	IP 67	IP 67	
2 m cable	metal flange connector M8 x 1	5 m cable	2 m cable	2 m cable	
VA No. 1.4305	VA No. 1.4305	PTFE	VA No. 1.4305	VA No. 1.4305	
PVC	PVC	PTFE	PA/PPO	PA/PPO	
-	-	PA/PPO	PA/PPO	PA/PPO	



INDUCTIVE SENSORS IAS



Housing	M12 x 1	M18 x 1	M18 x 1	M30 x 1.5
CE				
Technical data				
Operating distance S_n [mm] , flush mounting	4, no	5, yes	5, yes	10, yes
Operating distance min./max. [mm] adjustable	-	-	-	-
Type NPN NO		IAS-20-A13-S		IAS-20-A14-S
Type NPN NC				
Type NPN antivalent		IAS-20-A13-A		IAS-20-A14-A
Type PNP NO	IAS-10-A22-S-100°C	IAS-10-A13-S		IAS-10-A14-S
Type PNP NC		IAS-10-A13-Ö		
Type PNP antivalent		IAS-10-A13-A		IAS-10-A14-A
Type NPN/PNP-NO/NC switchable				
Type AC/DC NO			IAS-60-A13-S	
Type AC/DC NC			IAS-60-A13-Ö	
Operating voltage (U_B)	10...35 V DC	10...35 V DC	20...250 V AC/DC	10...35 V DC
Output current max. (I_e)	150 mA	250 mA / 2 x 250 mA	300 mA	250 mA / 2 x 250 mA
No-load current (I_o)	typ. 15 mA	typ. 15 mA	typ. 3.5 mA	typ. 15 mA
Frequency of operating cycles max.	2 kHz	2 kHz	25 Hz	1 kHz
Permitted ambient temperature	-25...+100°C	-25...+70°C	-25...+70°C	-25...+70°C
LED-display	yes	yes	yes	yes
Protective circuit	yes	yes	yes	yes
Degree of protection IEC 529	IP 67	IP 67	IP 67	IP 67
Connection	2 m cable	2 m cable	2 m cable	2 m cable
Housing material	VA No. 1.4305	brass	brass	brass
Active surface	PTFE	PA/PPO	PA/PPO	PVC
Lid	PA/PPO	PA/PPO	PA/PPO	PA/PPO

Dimension

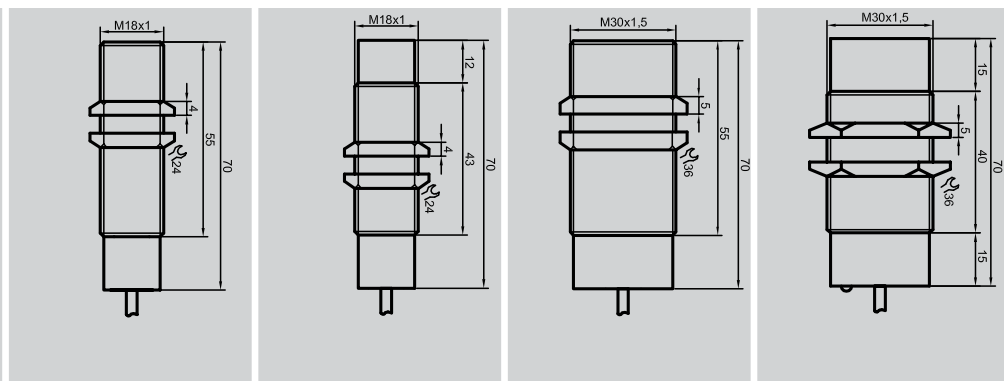


Connection diagram see page 7

INDUCTIVE SENSORS IAS WITH ANALOGUE OUTPUT

Housing	M18 x 1	M18 x 1	M30 x 1.5	M30 x 1.5
CE				
Technical data				
Operating range [mm], flush mounting	0...5, yes	0...8, no	0...10, yes	0...15, no
Linear range [mm]	1.5...5	3...8	3...10	5...15
Type analogue 2-wire				
Type analogue 3-wire	IAS-10-A13-IL	IAS-10-A23-IL	IAS-10-A14-IL	IAS-10-A24-IL
Operating voltage (U_b)	15...30 V DC	15...30 V DC	15...30 V DC	15...30 V DC
Output current (I_o)	2.5...>20 mA	2.5...>20 mA	2.5...>20 mA	2.5...>20 mA
No-load current (I_o)	typ. 40 mA	typ. 40 mA	typ. 40 mA	typ. 40 mA
Load resistor	$R_L = 0...300 \text{ Ohm}$	$R_L = 0...300 \text{ Ohm}$	$R_L = 0...300 \text{ Ohm}$	$R_L = 0...300 \text{ Ohm}$
Permitted ambient temperature	0...+60°C	0...+60°C	0...+60°C	0...+60°C
LED-display	yes	yes	yes	yes
Protective circuit	yes	yes	yes	yes
Degree of protection IEC 529	IP 67	IP 67	IP 67	IP 67
Connection	2 m cable	2 m cable	2 m cable	2 m cable
Housing material	brass	brass	brass	brass
Active surface	PTFE	PTFE	PTFE	PTFE
Lid	PA/PPO	PA/PPO	PA/PPO	PA/PPO

Dimension



Connection diagram see page 7